



DC axial fan – 60x60x25mm Series

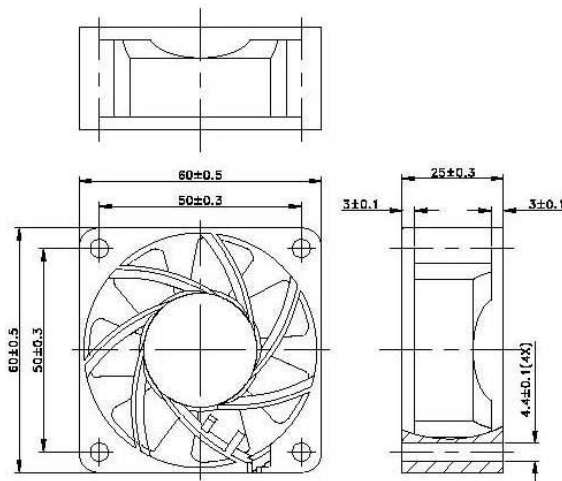
Technical Options:

- Frequency generator (tachometer output)
- Auto-restart
- Temperature / speed control
- Rotation detection
- Locked wire, fan failure output
- Pulse with modulation
- IP coating / metric threaded inserts / connecting

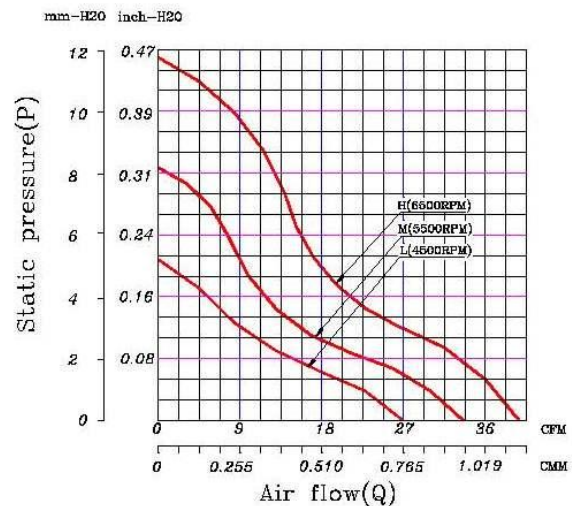
60 x 60 x 25 mm Series

Rev VI

Dimensions



Performance Curves



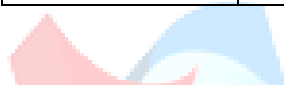
* All fans are with electronic protection against reverse polarity. The fan only operates when the polarity is correct.



Brushless DC Motor	Bearing Type
Housing: PBT 94V0	CeraDyna A (partial ceramic)
Impeller: PBT 94V0	CeraDyna C (full ceramic)
Weight: 60g	Ball bearing
Impedance protected	Sleeve
Lead wire UL 1007 AWG	1 Ball – 1 Sleeve

Specifications:

Model	Rated Voltage (VDC)	Rated Current (Amp)	Input Power (Watts)	Nominal Speed (RPM)	Airflow (CFM)	Static Pressure (inch-H2O)	Noise Level (dBA)
FD1260-AP58XE	12	0.5	6	6500	39.42	0.44	53.9
FD1260-A15XXE	12	0.5	6	6500	39.42	0.44	53.9
FD1260-A25XXE	12	0.35	4.2	5500	33.42	0.32	43.3
FD1260-A35XXE	12	0.17	2.04	4300	26.99	0.2	43.1



How to read the DC Fan part number

ACT-RX Technology Corporation

FD	05	25	-	A	1	0	1	1	A
Model FD: DC Fan FW: DC Blower FH: High Performance DC Fan	Voltage 05: 5VDC 12: 12VDC 24: 24VDC 48: 48VDC	Frame Dimension 25: 25x25 mm 30: 30x30 mm 35: 35x35 mm 40: 40x40 mm 45: 45x45 mm 50: 50x50 mm or 51x51 mm 60: 60x60 mm 70: 70x70 mm 75: 75x75 mm 80: 80x80 mm 90: 92x92 mm 12: 120x120 mm 13: 127x127 mm		Bearing A: CeraDyna A C: CeraDyna C B: 1-Ball-1-Sleeve D: 2-Ball S: Sleeve	Fan Speed 0: Super High 1: High 2: Medium 3: Low 4: Super Low P: PWM L: With LED T: TC	Fan Revision 0: Rev. 1 1: Rev. 2 2: Rev. 3 3: Rev. 4 4: Rev. 5 5: Rev. 6 6: Rev. 7 7: Rev. 8	Protection/Function 1: Polarity protection (PP) 3: PP+3rd wire FG (Frequency Generator output) 4: PP+AR (Auto Restart) 5: PP+AR+3rd wire FG 6: PP+AR+3rd wire TC (Temperature Control) 7: PP+AR+3rd wire RD (Rotation Detection) 8: PP+AR+PWM (Pulse Width Modulation)	Connector 0: 4 pin daisy Chain 1: Lead wire 2: 2 pin 3: 3 pin 4: 4 pin 6: 6 pin 9: Other	Frame Thickness A: 10 mm B: 12 mm C: 15 mm D: 20 mm E: 25 mm F: 33 mm G: 38 mm M: 28 mm N: 17 mm H: 22 mm J: 09 mm